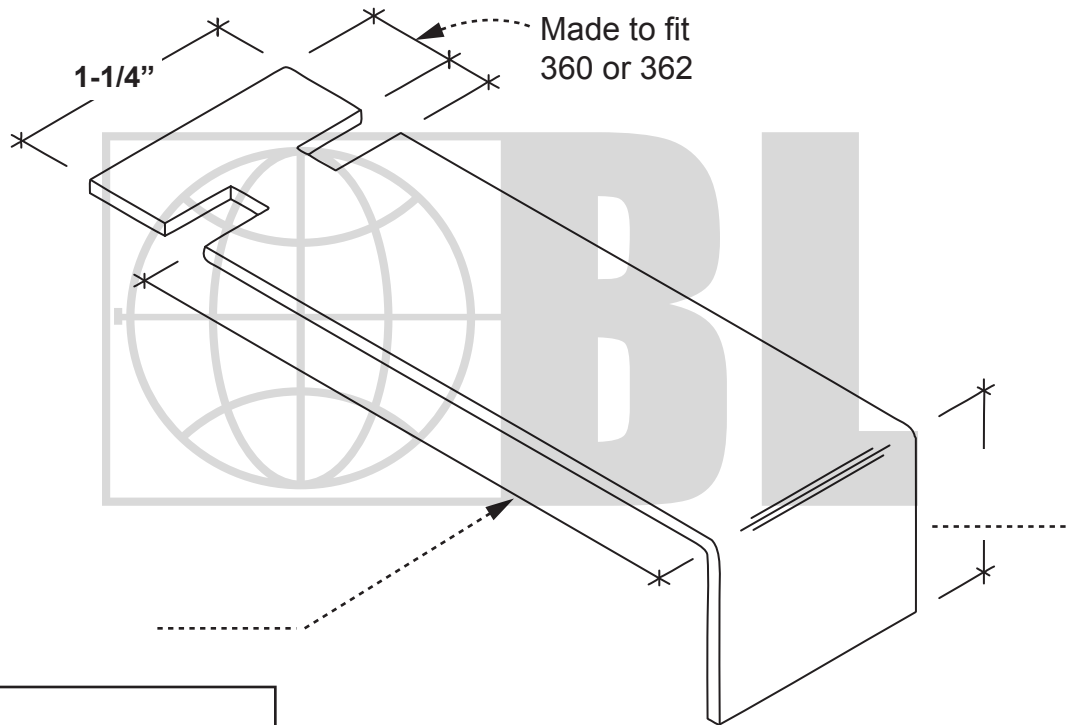


**BL-365 STONE ANCHOR**



**QUANTITY:**

ST/ST Plate Min. Fy. = 45,000 p.s.i. (ASTM A666)

DRAWINGS FOR ILLUSTRATIVE PURPOSES ONLY

<b>FINISH:</b>		<b>THICKNESS:</b>		
<input type="checkbox"/> TYPE 304 Stainless Steel	<input type="checkbox"/> TYPE 316 Stainless Steel	<input type="checkbox"/> 12 ga./2.78 mm	<input type="checkbox"/> 3/16"/4.7 mm	<input type="checkbox"/> OTHER _____
Blok-Lok recommends the exclusive use of 304 or 316 ST/ST for stone anchorage.				

<b>PROJECT NAME:</b>	<b>CONTACT INFO</b>
<b>LOCATION:</b>	<b>Name :</b>
<b>NOTES:</b>	<b>Company:</b>
	<b>Phone:</b>
	<b>Email:</b>
	<b>FAX:</b>

The appropriate selection and use of any product contained herein must be determined by competent architects, engineers and other professionals who are familiar with the specific requirements of the project.