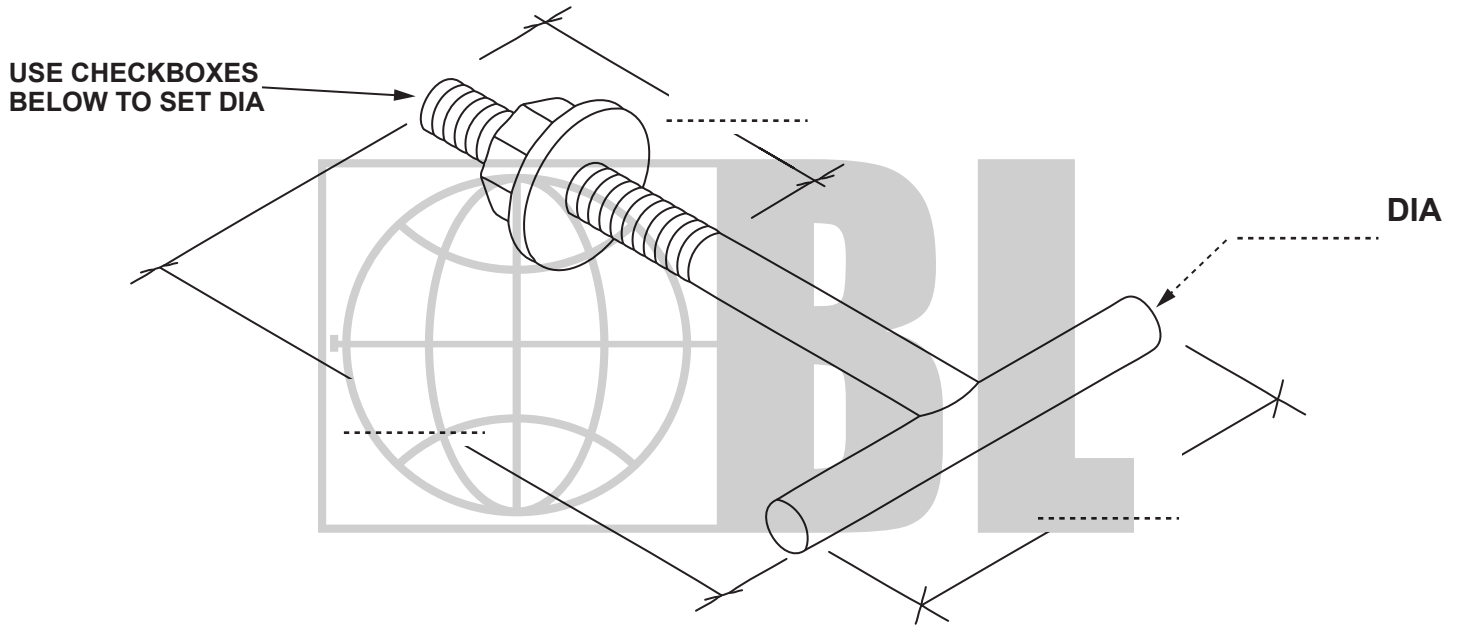


BL-423 STONE ANCHOR



QUANTITY:

ST/ST Rounds Min. Fy. = 75,000 p.s.i. (ASTM A580)

DRAWINGS FOR ILLUSTRATIVE PURPOSES ONLY

| | | | | |
|---|---|---------------------------------------|---------------------------------------|---------------------------------------|
| FINISH: | | ROD DIAMETER: | | |
| <input type="checkbox"/> TYPE 304 Stainless Steel | <input type="checkbox"/> TYPE 316 Stainless Steel | <input type="checkbox"/> 1/4"/6.3 mm | <input type="checkbox"/> 3/8"/9.5 mm | <input type="checkbox"/> 5/8"/15.8 mm |
| | | <input type="checkbox"/> 5/16"/7.9 mm | <input type="checkbox"/> 1/2"/12.7 mm | <input type="checkbox"/> OTHER _____ |

Blok-Lok recommends the exclusive use of 304 or 316 ST/ST for stone anchorage.

| | |
|----------------------|---------------------------|
| PROJECT NAME: | CONTACT INFO |
| LOCATION: | Name : |
| NOTES: | Company: |
| | Phone: FAX: |
| | Email: |

The appropriate selection and use of any product contained herein must be determined by competent architects, engineers and other professionals who are familiar with the specific requirements of the project.