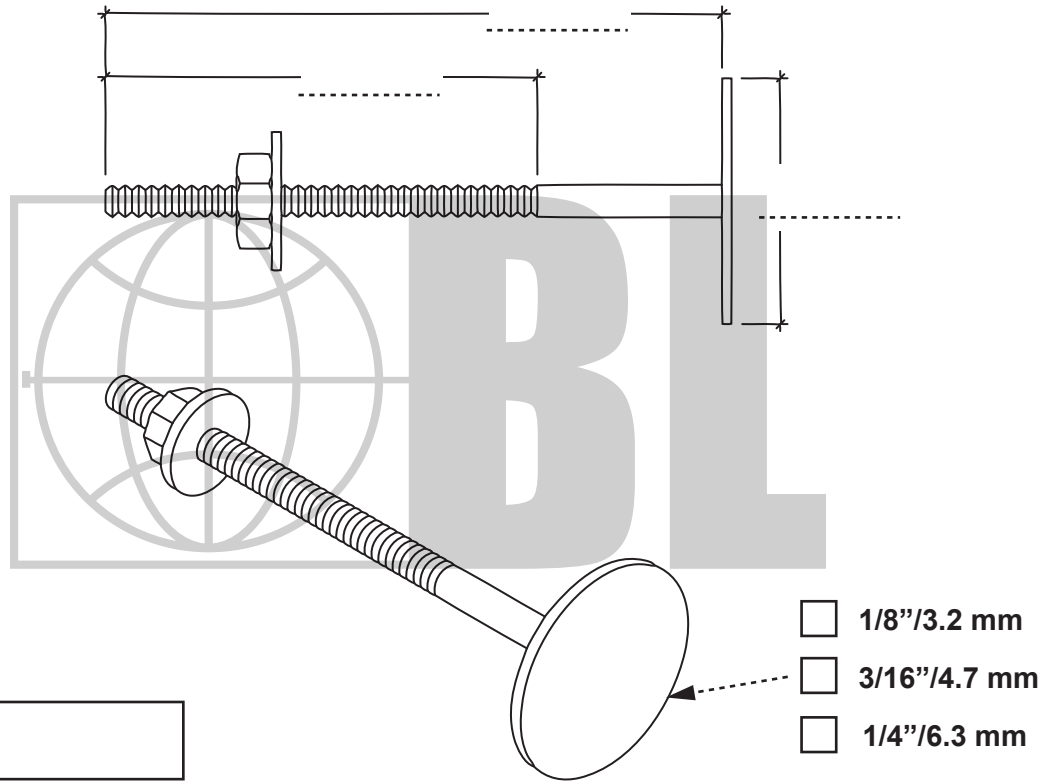


BL-428 STONE ANCHOR



QUANTITY:

ST/ST Plate Min. Fy. = 45,000 p.s.i. (ASTM A666)
ST/ST Rounds Min. Fy. = 75,000 p.s.i. (ASTM A580)

DRAWINGS FOR ILLUSTRATIVE PURPOSES ONLY

<p>FINISH:</p> <p><input type="checkbox"/> TYPE 304 Stainless Steel</p> <p><input type="checkbox"/> TYPE 316 Stainless Steel</p>	<p>ROD DIAMETER:</p> <table style="width: 100%;"> <tr> <td><input type="checkbox"/> 1/4"/6.3 mm</td> <td><input type="checkbox"/> 3/8"/9.5 mm</td> <td><input type="checkbox"/> 5/8"/15.8 mm</td> </tr> <tr> <td><input type="checkbox"/> 5/16"/7.9 mm</td> <td><input type="checkbox"/> 1/2"/12.7 mm</td> <td><input type="checkbox"/> OTHER _____</td> </tr> </table>	<input type="checkbox"/> 1/4"/6.3 mm	<input type="checkbox"/> 3/8"/9.5 mm	<input type="checkbox"/> 5/8"/15.8 mm	<input type="checkbox"/> 5/16"/7.9 mm	<input type="checkbox"/> 1/2"/12.7 mm	<input type="checkbox"/> OTHER _____
<input type="checkbox"/> 1/4"/6.3 mm	<input type="checkbox"/> 3/8"/9.5 mm	<input type="checkbox"/> 5/8"/15.8 mm					
<input type="checkbox"/> 5/16"/7.9 mm	<input type="checkbox"/> 1/2"/12.7 mm	<input type="checkbox"/> OTHER _____					

Blok-Lok recommends the exclusive use of 304 or 316 ST/ST for stone anchorage.

<p>PROJECT NAME:</p> <p>LOCATION:</p> <p>NOTES:</p>	<p>CONTACT INFO</p> <p>Name :</p> <p>Company:</p> <p>Phone: FAX:</p> <p>Email:</p>
--	---

The appropriate selection and use of any product contained herein must be determined by competent architects, engineers and other professionals who are familiar with the specific requirements of the project.