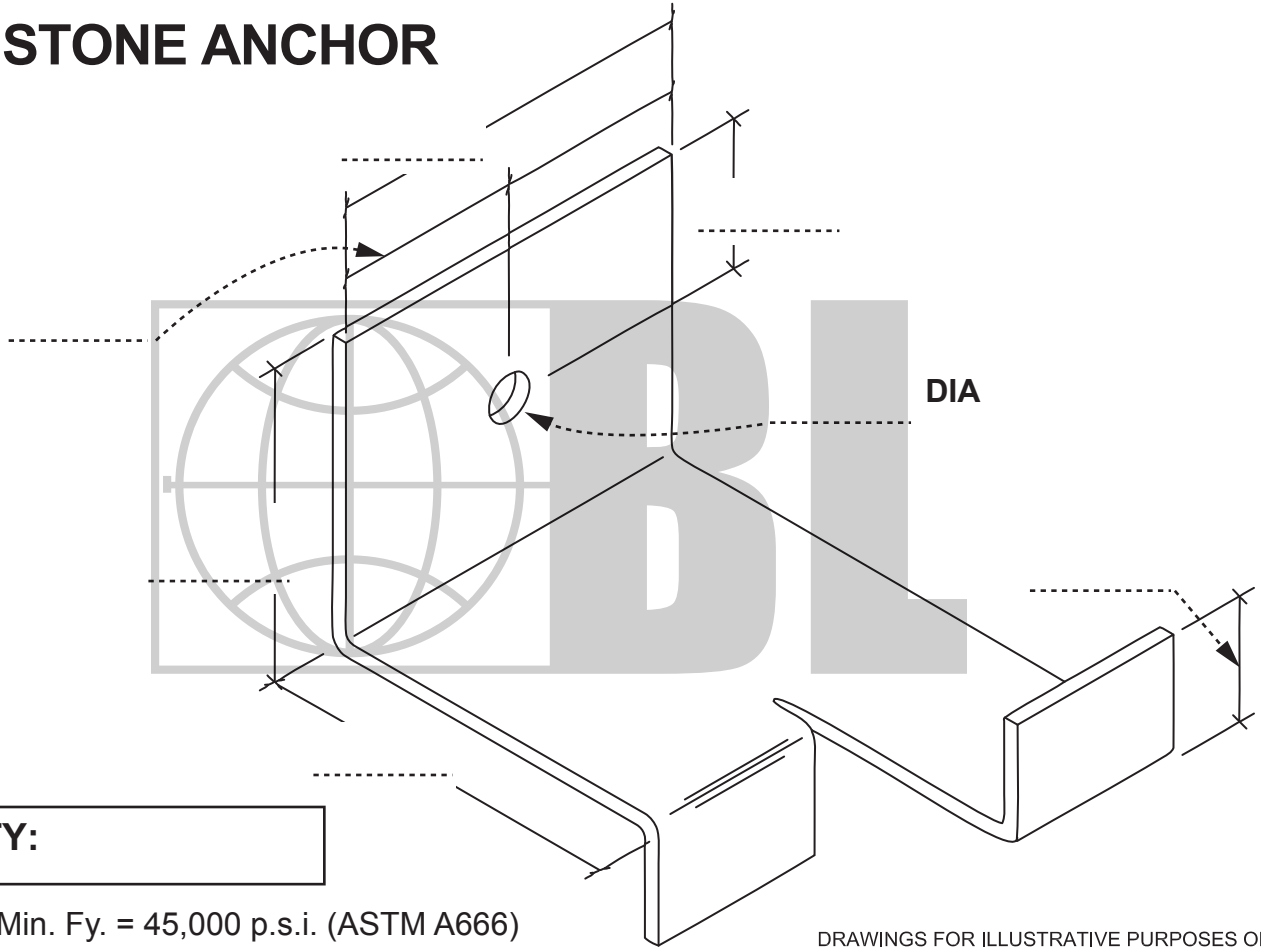


BL-436 STONE ANCHOR



QUANTITY:

ST/ST Plate Min. Fy. = 45,000 p.s.i. (ASTM A666)

DRAWINGS FOR ILLUSTRATIVE PURPOSES ONLY

| | | | | |
|---|---|--|---------------------------------------|--------------------------------------|
| FINISH: | | THICKNESS: | | |
| <input type="checkbox"/> TYPE 304 Stainless Steel | <input type="checkbox"/> TYPE 316 Stainless Steel | <input type="checkbox"/> 12 ga./4.8 mm | <input type="checkbox"/> 3/16"/4.7 mm | <input type="checkbox"/> 3/8"/9.5 mm |
| | | <input type="checkbox"/> 1/8"/3.2 mm | <input type="checkbox"/> 1/4"/6.3 mm | <input type="checkbox"/> OTHER _____ |

Blok-Lok recommends the exclusive use of 304 or 316 ST/ST for stone anchorage.

| | |
|----------------------|---------------------|
| PROJECT NAME: | CONTACT INFO |
| LOCATION: | Name : |
| NOTES: | Company: |
| | Phone: |
| | Email: |
| | FAX: |

The appropriate selection and use of any product contained herein must be determined by competent architects, engineers and other professionals who are familiar with the specific requirements of the project.