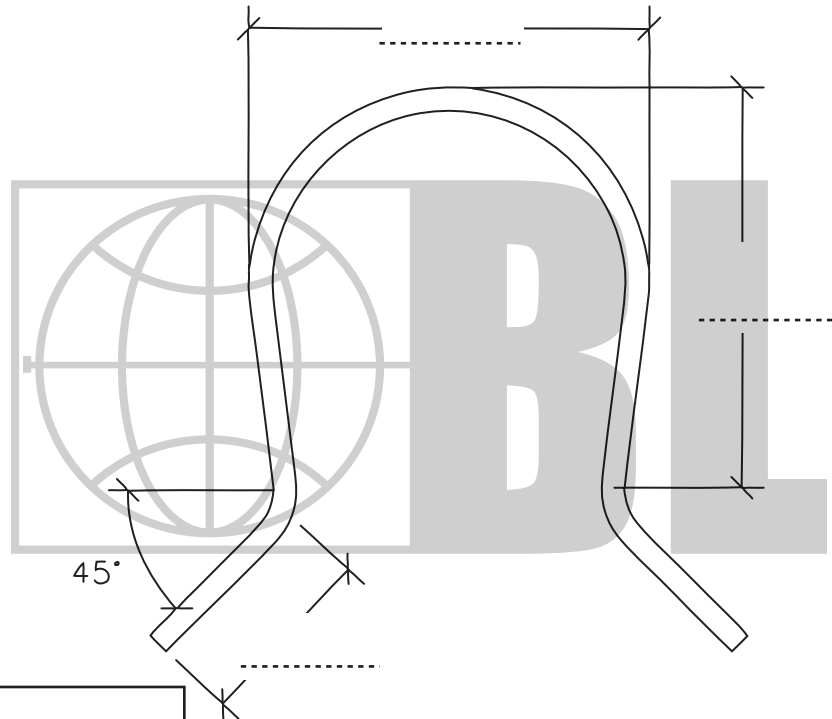


**BL-514 STONE ANCHOR**



**QUANTITY:**

ST/ST Rounds Min. Fy = 100,000 p.s.i. (SPRING STEEL)

DRAWINGS FOR ILLUSTRATIVE PURPOSES ONLY

<b>FINISH:</b>	<b>THICKNESS:</b>	<b>OPTION:</b>
<input type="checkbox"/> TYPE 304 Stainless Steel	<input type="checkbox"/> 3/16"/4.7 mm	<input type="checkbox"/> STANDARD
	<input type="checkbox"/> 1/4"/6.3 mm	<input type="checkbox"/> CUSTOM
Furnished in Type 304 Stainless Steel.		

<b>PROJECT NAME:</b>	<b>CONTACT INFO</b>	
<b>LOCATION:</b>	Name :	
<b>NOTES:</b>	Company:	
	Phone:	<b>FAX:</b>
	Email:	

The appropriate selection and use of any product contained herein must be determined by competent architects, engineers and other professionals who are familiar with the specific requirements of the project.