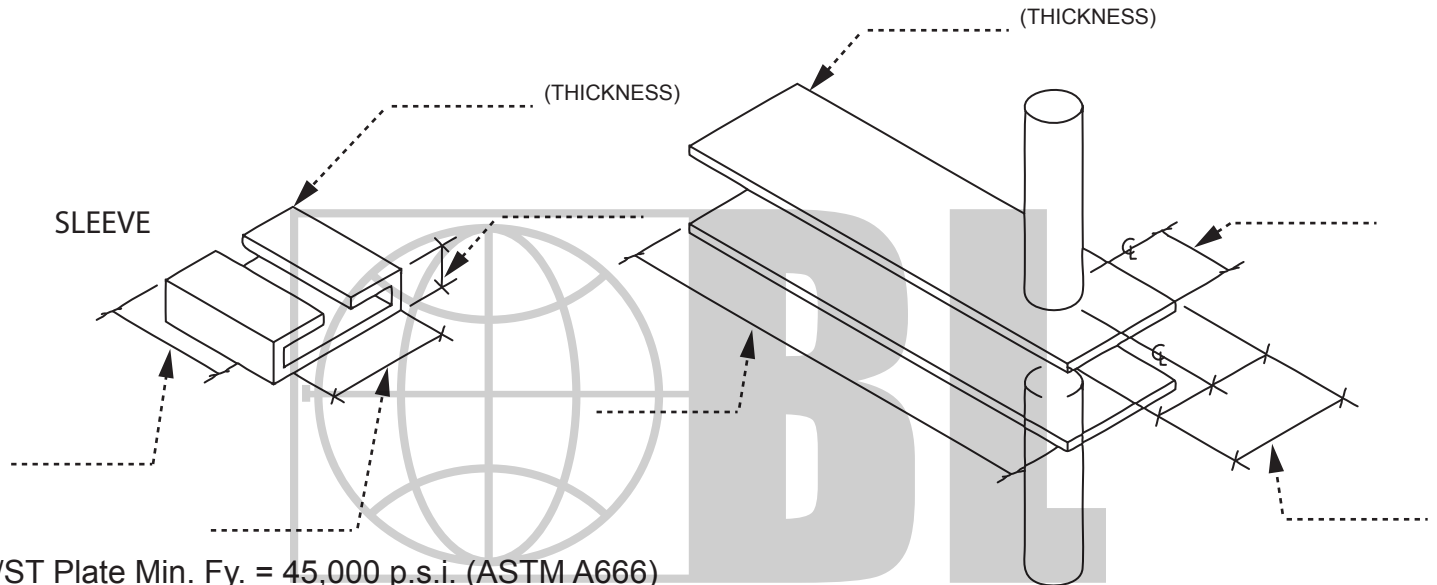


**C-1 STONE ANCHOR**



ST/ST Plate Min. Fy. = 45,000 p.s.i. (ASTM A666)  
ST/ST Rounds Min. Fy. = 75,000 p.s.i. (ASTM A580)

DRAWINGS FOR ILLUSTRATIVE PURPOSES ONLY

**FINISH:**

**TYPE 304 Stainless Steel**

**QUANTITY:**

Blok-Lok recommends the exclusive use of stainless steel for stone anchorage.

**DOWEL SIZES:**

	DOWEL DIA	½ DOWEL LENGTH	JOINT THICKNESS
<input type="checkbox"/>	3/16"	1"	min. 3/16"
<input type="checkbox"/>	1/4"	1"	min. 3/16"
<input type="checkbox"/>	3/8"	2"	min. 1/4"
<input type="checkbox"/>	1/2"	2"	min. 3/8"

**PROJECT NAME:**

**LOCATION:**

**NOTES:**

**CONTACT INFO**

**Name :**

**Company:**

**Phone:**

**FAX:**

**Email:**

The appropriate selection and use of any product contained herein must be determined by competent architects, engineers and other professionals who are familiar with the specific requirements of the project.

**BLOK-LOK**

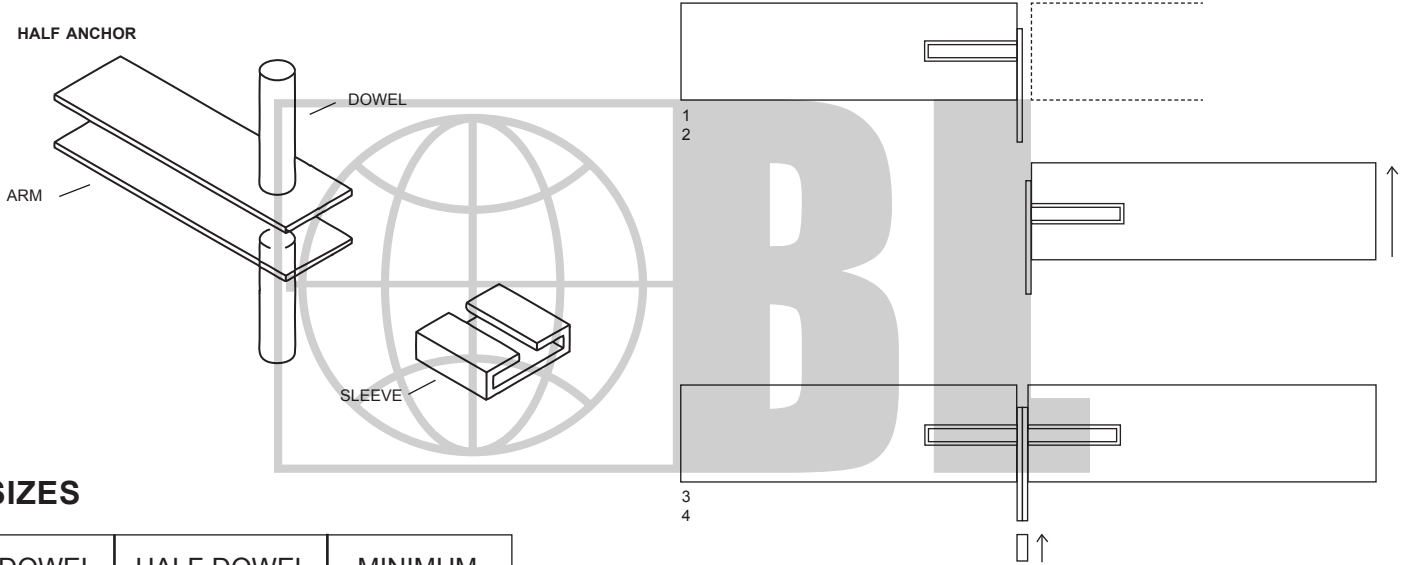
12 Ashbridge Circle | Woodbridge, Ontario L4L 3R5

T: 905.266.2277 | F: 905.266.2272 | USA: 1.800.561.3026

sales@blok-lok.com | www.blok-lok.com

© BLOK-LOK - 2010

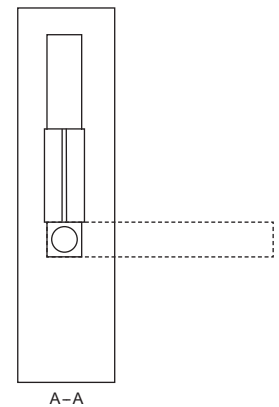
**C-1 STONE ANCHOR**



**SIZES**

DOWEL Ø	HALF DOWEL LENGTH	MINIMUM JOINT THICKNESS
3/16"	1"	3/16"
1/4"	1"	3/16"
3/8"	2"	1/4"
1/2"	2"	3/8"

1. Place half-anchor into dowel hole of panel to be set.
2. Place half-anchor into dowel hole of adjacent work.
3. Position panel.
4. Slide sleeve on arms of half-anchors.
5. Rotate Arms.  
Panel is now locked in place.  
Panel may be easily removed by reversing the procedure.



DRAWINGS FOR ILLUSTRATIVE PURPOSES ONLY

The appropriate selection and use of any product contained herein must be determined by competent architects, engineers and other professionals who are familiar with the specific requirements of the project.

**BLOK-LOK**

12 Ashbridge Circle | Woodbridge, Ontario L4L 3R5  
T: 905.266.2277 | F: 905.266.2272 | USA: 1.800.561.3026  
sales@blok-lok.com | www.blok-lok.com