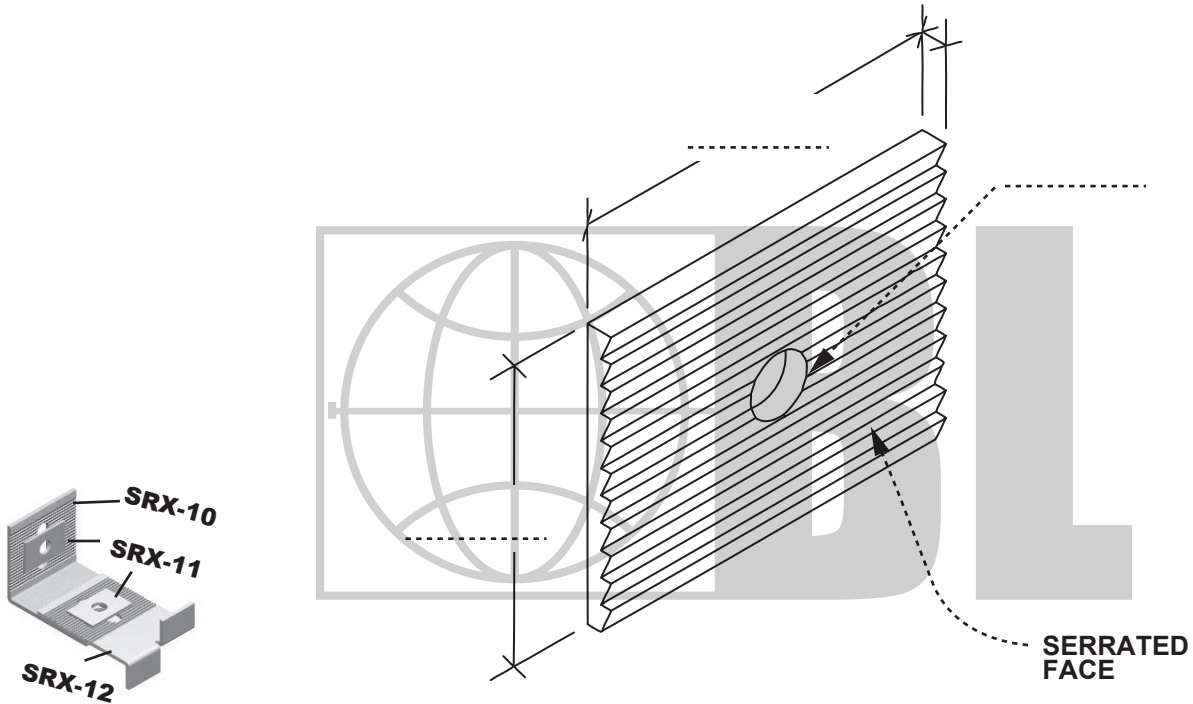


**SRX-11 STONE ANCHOR**



**QUANTITY:**

ST/ST Plate Min. Fy. = 45,000 p.s.i. (ASTM A666)

DRAWINGS FOR ILLUSTRATIVE PURPOSES ONLY

|                                                   |                                                   |                                       |                                      |
|---------------------------------------------------|---------------------------------------------------|---------------------------------------|--------------------------------------|
| <b>FINISH:</b>                                    |                                                   | <b>THICKNESS:</b>                     |                                      |
| <input type="checkbox"/> TYPE 304 Stainless Steel | <input type="checkbox"/> TYPE 316 Stainless Steel | <input type="checkbox"/> 1/8"/3.2 mm  | <input type="checkbox"/> 1/4"/6.3 mm |
|                                                   |                                                   | <input type="checkbox"/> 3/16"/4.7 mm | <input type="checkbox"/> OTHER _____ |

Blok-Lok recommends the exclusive use of 304 or 316 ST/ST for stone anchorage.

|                      |                           |
|----------------------|---------------------------|
| <b>PROJECT NAME:</b> | <b>CONTACT INFO</b>       |
| <b>LOCATION:</b>     | <b>Name :</b>             |
| <b>NOTES:</b>        | <b>Company:</b>           |
|                      | <b>Phone:</b> <b>FAX:</b> |
|                      | <b>Email:</b>             |

The appropriate selection and use of any product contained herein must be determined by competent architects, engineers and other professionals who are familiar with the specific requirements of the project.