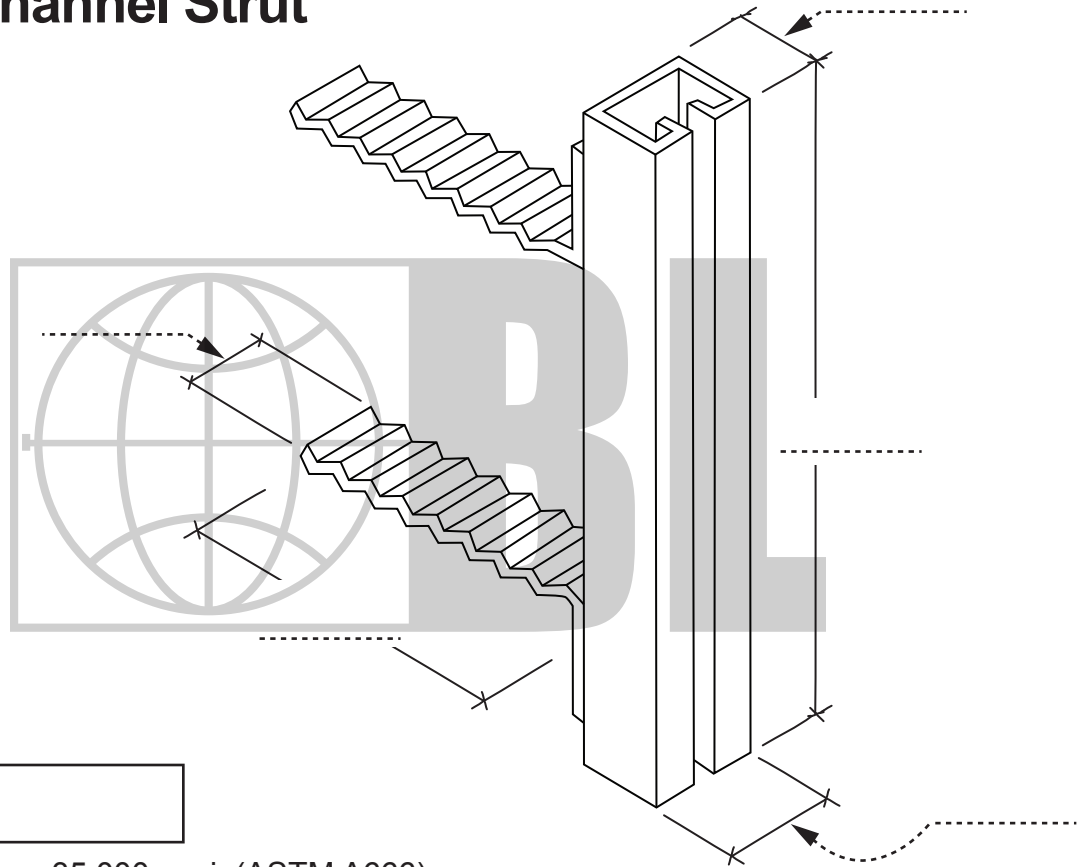


Embedded Channel Strut



QUANTITY:

ST/ST Channel Min. Fy. = 35,000 p.s.i. (ASTM A666)
Hot Dip Galvanized Finish = 1.5 oz zinc coating / ft² (ASTM A 153 Class B, ASTM A 123)

DRAWINGS FOR ILLUSTRATIVE PURPOSES ONLY

| | |
|--|---|
| <p>FINISH:</p> <p><input type="checkbox"/> TYPE 304 Stainless Steel</p> <p><input type="checkbox"/> TYPE 316 Stainless Steel</p> <p><input type="checkbox"/> Hot Dip Galvanized</p> | <p>Contact a Blok-Lok technical representative for anchor options and additional product information.</p> <p>Furnished in Type 304 ST/ST, Type 316 ST/ST, or Hot Dip Galvanized.</p> |
|--|---|

| | |
|--|--|
| <p>PROJECT NAME:</p> <p>LOCATION:</p> <p>NOTES:</p> | <p>CONTACT INFO</p> <p>Name :</p> <p>Company:</p> <p>Phone: FAX:</p> <p>Email:</p> |
|--|--|

The appropriate selection and use of any product contained herein must be determined by competent architects, engineers and other professionals who are familiar with the specific requirements of the project.