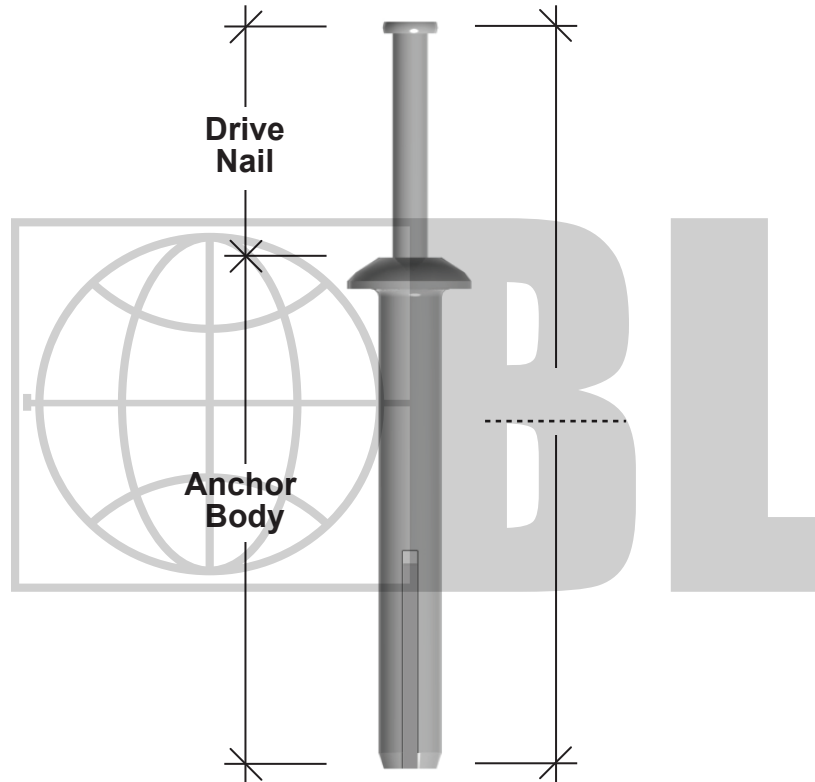


**Nail-In Expansion Anchor**



**QUANTITY:**

DRAWINGS FOR ILLUSTRATIVE PURPOSES ONLY

<b>FINISH (DRIVE NAIL):</b>	<b>THICKNESS:</b>
<input type="checkbox"/> TYPE 304 Stainless Steel <input type="checkbox"/> Carbon Steel	<input type="checkbox"/> 3/16"/4.7 mm <input type="checkbox"/> 1/4"/6.3 mm
Drive Nail furnished in Type 304 ST/ST, or Carbon Steel. Anchor Body is Zamac Alloy.	

<b>PROJECT NAME:</b>	<b>CONTACT INFO</b>	
<b>LOCATION:</b>	Name :	
<b>NOTES:</b>	Company:	
	Phone:	<b>FAX:</b>
	Email:	

The appropriate selection and use of any product contained herein must be determined by competent architects, engineers and other professionals who are familiar with the specific requirements of the project.