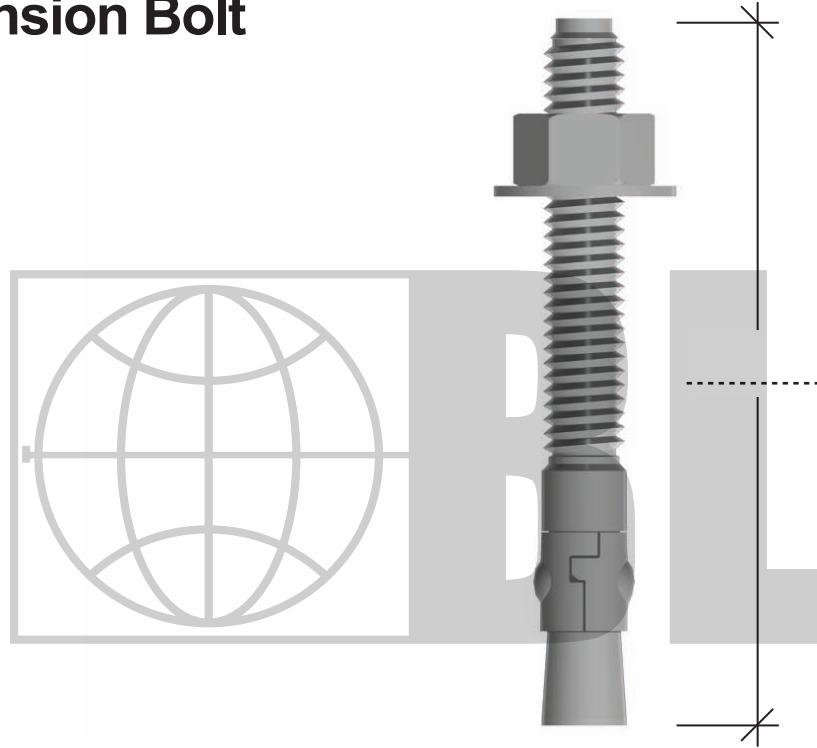


Wedge Expansion Bolt



QUANTITY:

DRAWINGS FOR ILLUSTRATIVE PURPOSES ONLY

FINISH:

- TYPE 304 Stainless Steel
- TYPE 316 Stainless Steel
- Zinc Mechanical Galvanized

DIAMETER:

- 1/4"/6.3 mm
- 3/8"/9.5 mm
- 1/2"/12.7 mm
- 5/8"/15.8 mm
- 3/4"/19 mm
- OTHER _____

Furnished in Type 304 Stainless Steel, Type 316 Stainless Steel, Zinc, and Mechanical Galvanized.

PROJECT NAME:

LOCATION:

NOTES:

CONTACT INFO

Name :

Company:

Phone:

Email:

FAX:

The appropriate selection and use of any product contained herein must be determined by competent architects, engineers and other professionals who are familiar with the specific requirements of the project.

BLOK-LOK

12 Ashbridge Circle | Woodbridge, Ontario L4L 3R5

T: 905.266.2277 | F: 905.266.2272 | USA: 1.800.561.3026

sales@blok-lok.com | www.blok-lok.com

© BLOK-LOK - 2010