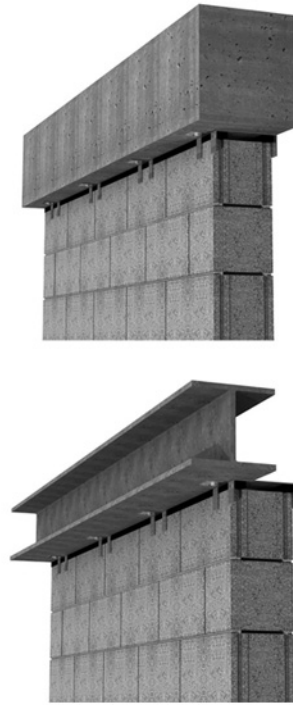
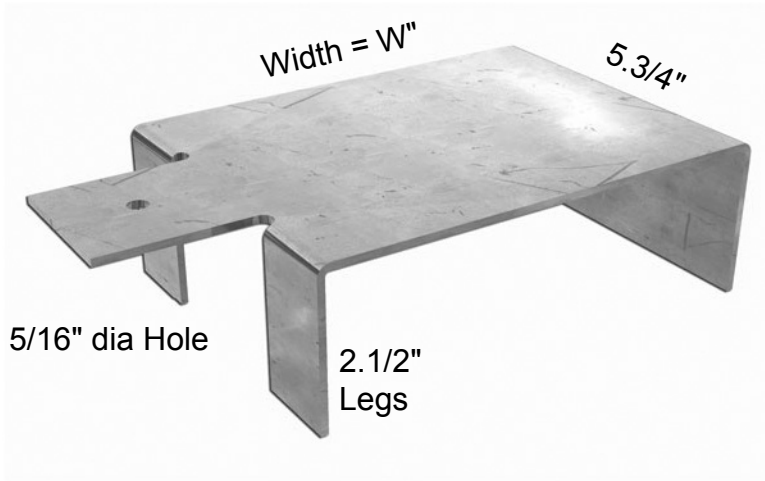




# Partition Top Anchors BL-LSA1



DRAWINGS FOR ILLUSTRATIVE PURPOSES ONLY

**Sheet Metal** (Carbon Steel):  
ASTM A 366/A (Cold-rolled)  
ASTM A 569 (Hot-rolled, pickled and oiled)

**Finishes** - Sheet metal (Carbon-Steel):  
Mill Galvanized - ASTM A 653 Coating Designation G60  
Hot-Dip Galvanized - ASTM A 153 class B (sheet metal ties and anchors hot-dip galvanized after fabrication).  
Note: Blok-Lok will certify to a minimum zinc coating of 2.0 oz./ft.<sup>2</sup>

**Sheet Metal** (Stainless Steel):  
ASTM A 167 - AISI Type 304 Stainless Steel (sheet metal ties and anchors) (Type 316 available on special order)  
Note: Blok-Lok recommends Stainless Steel for maximum protection against corrosion.

**Finishes:**

- Mill Galvanized
- Hot-Dip galvanized
- Stainless Steel

**Size:** 12 ga. x block size, with 2 1/2" bends

- 4" W=3.3/4"     6" W=5.3/4"     8" W=7.3/4"
- 10" W=9.3/4"     12" W=11.3/4"

**Note:**

- NS-Neoprene Sponge also available. Submittal sheet available on request.
- Other sizes available for heavy-duty applications
- Complies with CSA A370-14