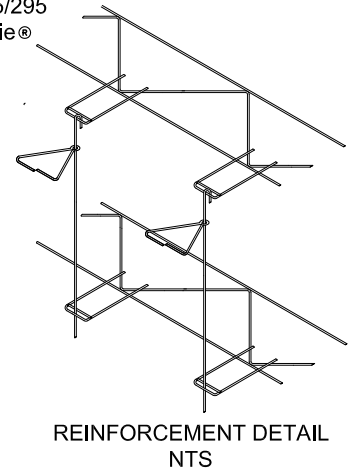
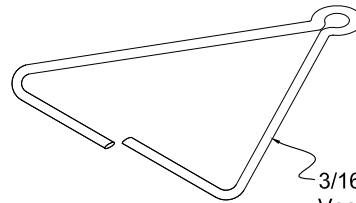
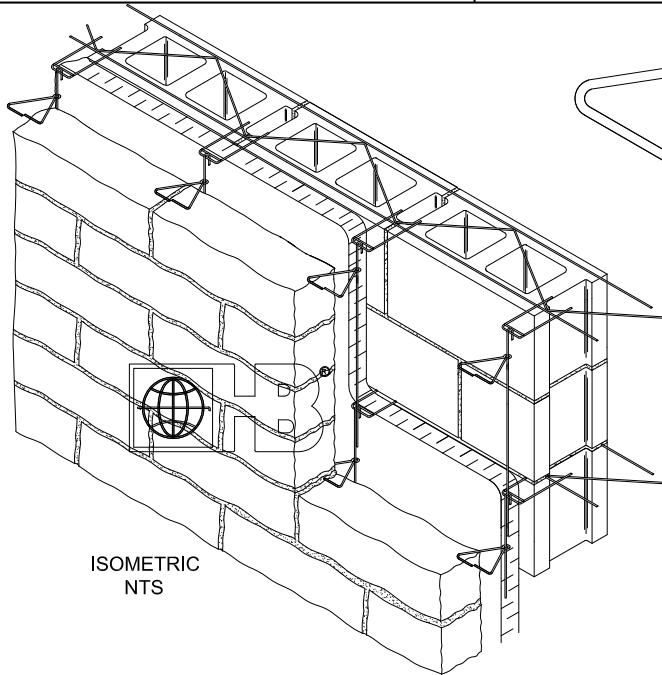




Adjustable Anchor System for Rubble Stone

Tie-HVR-195V Anchor System

Truss Type (FOR INSULATED CAVITY WALL)



DRAWINGS FOR ILLUSTRATIVE PURPOSES ONLY

MATERIAL CONFORMANCES - JOINT REINFORCEMENT

Hohmann & Barnard joint reinforcement products conform to Standard Specification **ASTM A951/A951M & ACI/ASCE 530** (Building Code Requirements for Masonry Structures)

WIRE:

(Stainless Steel): **ASTM A580/A580M - AISI Type 304** or **316**

(Carbon Steel): Prefabricated construction from cold-drawn steel wire conforming to ASTM A1064/A1064M:

Tensile Strength - 80,000 p.s.i., Yield Point - 70,000 p.s.i. minimum
Zinc Coating:

Hot-Dip Galvanized after fabrication: **ASTM A153/A153M-B2** (1.5 oz/ft²)

Note: Hohmann & Barnard will certify to a minimum of 2.0 oz/ft²

(Hot-Dip Galvanized available special order only)

WIRE DIAMETER:

- 9 gauge (.148" or W1.7)
- 3/16"Ø (.187" or W2.8)
- Side and Cross Rods available in any combination of the above.
- Rectangular box (with welded restraint bar) is 3/16"Ø, 16" O.C.

VERTICAL J-HOOK:

ASTM A276 (Type 304 or 316 Stainless Steel)

U.S. Patent No. 8,375,667 & 8,904,725

H&B manufactures steel wire products from recycled material.

FINISHES:

- Hot-Dip Galvanized (Special Order)
- Stainless Steel - Type 304 Stainless Steel - Type 316

Note: H&B recommends Stainless Steel for maximum protection against corrosion.

WIRE SIZE: (Rectangular box with restraint bar are 3/16" standard)

- (S) Standard Weight:
9 Gauge Side Rods x 9 Gauge Cross Rods
- (EH) Extra Heavy:
3/16"Ø Side Rods x 9 Gauge Cross Rods
- (SHD) Super Heavy Duty:
3/16"Ø Side Rods x 3/16"Ø Cross Rods

VERTICAL J-HOOK:

- 3/8"Ø 7/16"Ø 1/2"Ø

BLOCK SIZE:

- 4" 12"
- 6" 14"
- 8" 16"
- 10"

MASONRY TIE:

- 3" Custom: _____
- 4"
- 5"

Note: State cavity and/or insulation thickness when ordering.

IMPORTANT: Since each construction project is unique, the appropriate selection and use of any product contained herein must be determined by competent architects, engineers and other appropriate professionals who are familiar with the specific requirements of the project in question.

This drawing and/or data sheet is the confidential and proprietary information of Hohmann & Barnard, Inc. and is not to be reproduced, copied or disclosed, in whole or in part, without the prior written consent of H&B.

12 Ashbridge Circle | Woodbridge, Ontario, L4L 3R5, Canada

T: 905.266.2277 | F: 905.266.2272 | USA: 1.800.561.3026

sales@blok-lok.com | www.blok-lok.com

© BLOK-LOK - 2017