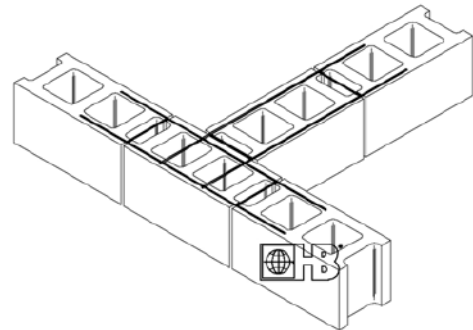


Prefabricated Corner



Prefabricated Tee

DRAWINGS FOR ILLUSTRATIVE PURPOSES ONLY

Material Conformances - Joint Reinforcement

Blok-Lok joint reinforcement products conform to
 ASTM A951/A951M (Standard Specification for Steel Wire for Masonry Joint Reinforcement)
 ACI / ASCE 530 (Building Code Requirements for Masonry Structures)
 CSA standard A370-14.

Wire: (Carbon Steel): Prefabricated construction from cold-drawn steel wire conforming to ASTM A1064/A1064M:
 Tensile Strength - 80,000 p.s.i.
 Yield Point - 70,000 p.s.i. minimum

Wire Diameter:

9 gauge (.148" or W1.7)
 3/16" (.187" or W2.8)
 Side Rods and Cross Rods available in any combination of the above.
 Cross Rods welded 16" O.C.
 First Cross Rods welded 12" in from each end to allow lap splices per code requirements.

Note: Bed joint alignment for connecting wythes recommended.

Blok-Lok manufactures steel wire products from a minimum of 95% recycled material.

Finishes:

- Mill Galvanized Coating: ASTM A 641 (0.1 oz/ft²)
- Hot-Dip Galvanized after fabrication: ASTM A 153 (1.5 oz/ft²)
- Stainless Steel: ASTM A 580 - AISI Type 304 (Type 316 available on special order).

Note: Blok-Lok recommends Stainless Steel for maximum protection against corrosion.

Wire Size:

- Standard:
9 Gauge Side Rods x 9 Gauge Cross Rods
- Heavy Duty:
3/16" Side Rods x 9 Gauge Cross Rods
- Extra Heavy Duty:
3/16" Side Rods x 3/16" Cross Rods

Block Size:

- 4" (90mm) 6" (140mm) 8" (190mm) 10" (240mm)
- 12" (290mm) 14" (343mm) 16" (393mm)

Note: For Corner or Tee, state width of block walls.